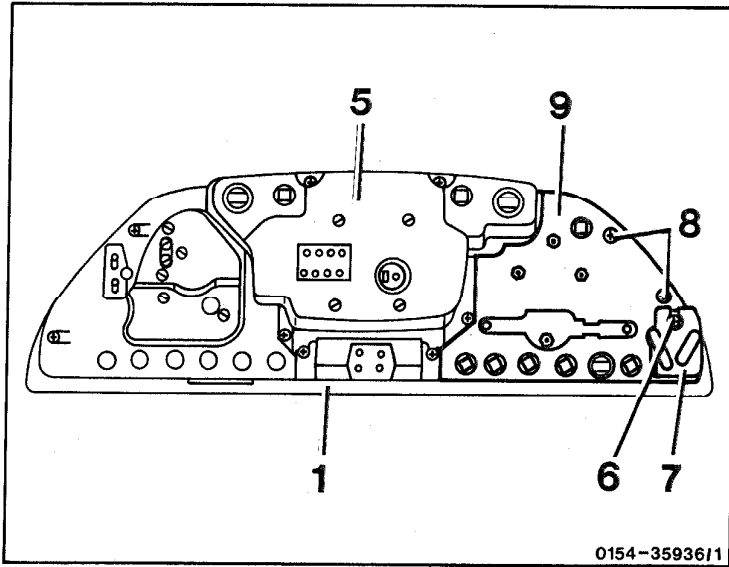


54-251 R and R indicator instrument



0154-35936/1

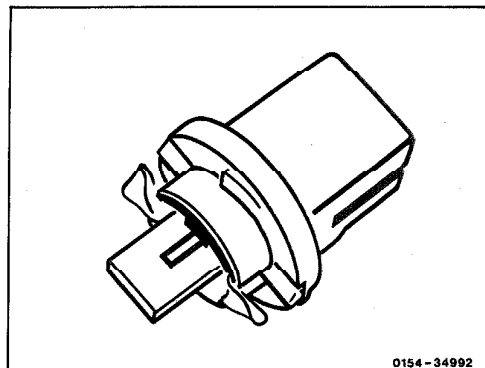
Instrument cluster (1)	remove, reinstall (54-250)
Speedometer (5)	remove, reinstall (54-253)
Screw (6)	screw out, screw in
Control resistor (7)	remove, fit
Screws (8)	loosen and remove
Indicator instrument (9)	remove and install in reverse order

Note:

The indicator instruments (9) for coolant temperature, fuel, oil pressure warning buzzer, economy can only be replaced as a complete unit.

On vehicles without trip computer a conductor fuse has been phased-in series production from 05/87 in the instrument cluster assembly.

For identification purposes, this holder is red in color. It must be replaced completely if required.



0154-34992